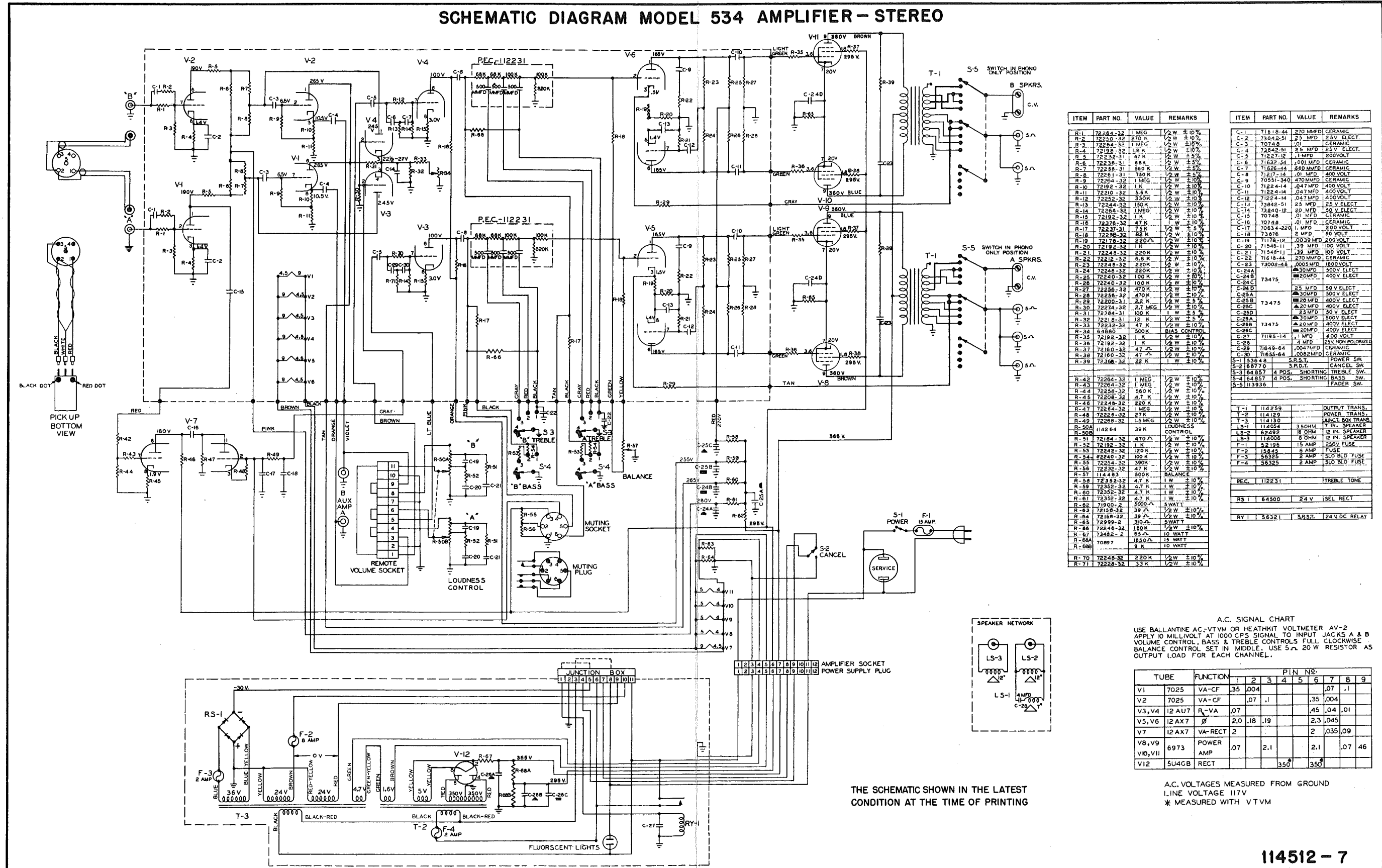


SCHEMATIC DIAGRAM MODEL 534 AMPLIFIER - STEREO



ITEM	PART NO.	VALUE	REMARKS
R-1	72204-32	1 MEG	±10%
R-2	72210-32	270 K	±10%
R-3	72204-32	1 MEG	±10%
R-4	72198-32	1.8 K	±10%
R-5	72234-31	4.7 K	±5%
R-6	72236-31	68K	±5%
R-7	72238-31	580 K	±5%
R-8	72281-31	750 K	±5%
R-9	72204-32	1 MEG	±10%
R-10	72192-32	1 K	±10%
R-11	72210-32	5.8 K	±10%
R-12	72252-32	330K	±10%
R-13	72244-32	150 K	±10%
R-14	72268-32	1 MEG	±10%
R-15	72192-32	1 K	±10%
R-16	72318-30	4.7 K	±10%
R-17	72237-31	7.5 K	±5%
R-18	72280-32	82 K	±10%
R-19	72118-32	220K	±10%
R-20	72192-32	1 K	±10%
R-21	72248-32	220 K	±10%
R-22	72216-32	5.8 K	±10%
R-23	72248-32	220 K	±10%
R-24	72248-32	220 K	±10%
R-25	72240-32	100 K	±10%
R-26	72240-32	100 K	±10%
R-27	72250-32	470 K	±10%
R-28	72250-32	470 K	±10%
R-29	72202-31	2.8 K	±10%
R-30	72274-32	2.7 MEG	±10%
R-31	72204-31	100 K	±10%
R-32	72218-31	12 K	±10%
R-33	72232-32	47 K	±10%
R-34	64880	500K	BIAS CONTROL
R-35	72192-32	1 K	±10%
R-36	72192-32	1 K	±10%
R-37	72180-32	4.7 K	±10%
R-38	72160-32	47 K	±10%
R-39	72368-32	22 K	±10%
R-42	72204-32	1 MEG	±10%
R-43	72204-32	100 K	±10%
R-44	72258-32	560 K	±10%
R-45	72208-32	4.7 K	±10%
R-46	72248-32	220 K	±10%
R-47	72264-32	1.2 MEG	±10%
R-48	72228-32	27 K	±10%
R-49	72268-32	1.5 MEG	±10%
R-50A	114264	39K	LOUDNESS CONTROL
R-51	72184-32	470 Ω	±10%
R-52	72192-32	1 K	±10%
R-53	72248-32	220 K	±10%
R-54	72240-32	100 K	±10%
R-55	72254-32	390K	±10%
R-56	72232-32	47 K	±10%
R-57	114483	500K	BALANCE
R-58	72352-32	4.7 K	±10%
R-59	72352-32	4.7 K	±10%
R-60	72352-32	4.7 K	±10%
R-61	72352-32	4.7 K	±10%
R-62	71900-2	5000 Ω	5 WATT
R-63	72158-32	39 Ω	±10%
R-64	72158-32	39 Ω	±10%
R-65	72999-2	310 Ω	5 WATT
R-66	72248-32	220 K	±10%
R-67	73442-2	55 Ω	10 WATT
R-68A	70897	1820 Ω	15 WATT
R-68B		9 K	10 WATT
R-70	72248-32	220 K	±10%
R-71	72228-32	33 K	±10%

ITEM	PART NO.	VALUE	REMARKS
C-1	71618-44	270 MFD	CERAMIC
C-2	73842-51	25 MFD	25V ELECT.
C-3	70748	.01	CERAMIC
C-4	73842-51	25 MFD	25V ELECT.
C-5	71227-12	1 MFD	200VOLT
C-6	71622-44	.001 MFD	CERAMIC
C-7	71622-44	.001 MFD	CERAMIC
C-8	71217-14	.01 MFD	400 VOLT
C-9	70951-340	.01 MFD	CERAMIC
C-10	71224-14	.047 MFD	400 VOLT
C-11	71224-14	.047 MFD	400 VOLT
C-12	71224-14	.047 MFD	400 VOLT
C-13	73842-51	25 MFD	25 V ELECT
C-14	73840-12	20 MFD	50 V ELECT
C-15	70748	.01 MFD	CERAMIC
C-16	70748	.01 MFD	CERAMIC
C-17	70634-220	1 MFD	200 VOLT
C-18	73878	2 MFD	50 VOLT
C-19	71178-12	.005 MFD	200VOLT
C-20	71548-11	.39 MFD	100 VOLT
C-21	71548-11	.39 MFD	100 VOLT
C-22	71618-44	270 MFD	CERAMIC
C-23	73002-48	.0005 MFD	1600VOLT
C-24A		.30 MFD	500V ELECT
C-24B		.30 MFD	500V ELECT
C-24C	73475	.20 MFD	400V ELECT
C-24D		.25 MFD	50V ELECT
C-25A		.30 MFD	500V ELECT
C-25B		.28 MFD	400V ELECT
C-25C	73475	.20 MFD	400V ELECT
C-25D		.25 MFD	50V ELECT
C-26A		.30 MFD	500V ELECT
C-26B	73475	.20 MFD	400V ELECT
C-26C		.20 MFD	400V ELECT
C-27	71195-14	1 MFD	400 VOLT
C-28		4 MFD	25V NON POLARIZED
C-29	71649-64	.0047 MFD	CERAMIC
C-30	71655-64	.0082 MFD	CERAMIC
S-1	53348	3 P.S.T.	POWER SW
S-2	58170	3 P.S.T.	CANCEL SW
S-3	64857	4 POS.	SHORTING TREBLE SW
S-4	64857	4 POS.	SHORTING BASS SW
S-5	113936		FADER SW
T-1	114259		OUTPUT TRANS.
T-2	114129		POWER TRANS.
T-3	114130		RECT. BOX TRANS.
LS-1	114054	15 OHM	17 IN. SPEAKER
LS-2	62492	16 OHM	12 IN. SPEAKER
LS-3	114008	8 OHM	12 IN. SPEAKER
F-1	52196	15 AMP	250V FUSE
F-2	15846	8 AMP	FUSE
F-3	56325	2 AMP	SLO BLO FUSE
F-4	56325	2 AMP	SLO BLO FUSE
REC-1	112231		TREBLE TONE
RS-1	64500	24 V	ISEL RECT
RY-1	56321	5 P.S.T.	24 V DC RELAY

A.C. SIGNAL CHART
 USE BALLANTINE AC-VTVM OR HEATHKIT VOLTMETER AV-2
 APPLY 10 MILLIVOLT AT 1000 CPS SIGNAL TO INPUT JACKS A & B
 VOLUME CONTROL, BASS & TREBLE CONTROLS FULL CLOCKWISE
 BALANCE CONTROL SET IN MIDDLE. USE 5 Ω 20 W RESISTOR AS
 OUTPUT LOAD FOR EACH CHANNEL.

TUBE	FUNCTION	PIN NO.								
		1	2	3	4	5	6	7	8	9
V1	7025 VA-CF	.35	.004					.07	.1	
V2	7025 VA-CF		.07	.1			.35	.004		
V3,V4	12AU7 R-VA	.07					.45	.04	.01	
V5,V6	12AX7	2.0	.18	.19			2.3	.045		
V7	12AX7 VA-RECT	2					2	.035	.09	
V8,V9	6973 POWER AMP	.07	2.1				2.1	.07	.46	
V10,V11										
V12	5U4GB RECT				350		350			

A.C. VOLTAGES MEASURED FROM GROUND
 LINE VOLTAGE 117V
 * MEASURED WITH VTVM

THE SCHEMATIC SHOWN IN THE LATEST
 CONDITION AT THE TIME OF PRINTING

Fig. 81. SCHEMATIC WIRING DIAGRAM MODEL 2300S SOUND SYSTEM